



LGBT History - Secondary

Stonewall's home learning packs can be used by parents or carers looking to support their child's learning or by education staff looking to send work home for their students. There is a primary, secondary and SEND version of each pack, with a list of suggested activities and supporting materials for you to pick and choose from.

Stonewall is a lesbian, gay, bi and trans equality charity working with employers, schools, colleges and services for LGBT acceptance without exception. Find out more about our work here: www.stonewall.org.uk.

A word on online safety: please make sure you supervise your child when they use YouTube or are using the internet for research. Talk to them about what they should do if they see something that makes them feel uncomfortable or that they think they shouldn't be seeing. Use our [Staying Safe Online](#) resource or the [Childnet](#) website to help you.



Key Stage 3

- Read the piece on Bayard Rustin here: <https://kinginstitute.stanford.edu/encyclopedia/rustin-bayard>
- Write a speech that explains why equality is important.
- Listen to the podcast about Roberta Cowell: <https://www.youtube.com/watch?v=x6z555adbgA>
- Write a blog post about Roberta Cowell.
- Design a racing car that Roberta Cowell might want to drive today. Use the template or draw the car from scratch. You could create a model car based on your design.
- Design a plane that Roberta Cowell might want to pilot today. Use the template or draw the plane from scratch. You could create a model plane based on your design.
- Research Alan Turing: <https://www.britannica.com/biography/Alan-Turing>
- Write a paragraph to explain why Alan Turing's life might have been different if he'd been born 50 years later.
- Design a code language – see if a family member, carer or friend can crack the code.
- If you are over 12: watch *The Imitation Game* and then design a poster for the film.
- Research Alan L Hart: <https://www.encyclopedia.com/social-sciences/encyclopedias-almanacs-transcripts-and-maps/hart-alan-l> and <https://legacyprojectchicago.org/person/dr-alan-l-hart>
- Reflect on Alan L Hart's life. How might it feel to hide a part of your identity? Summarise your thoughts in 240 characters.
- Find out about x-rays: <https://www.youtube.com/watch?v=gsV7SJDDCY4>
- Find out about tuberculosis (TB) <https://www.blf.org.uk/support-for-you/tuberculosis/what-is-it>
- Write the script for a podcast or vlog about Alan L Hart and his contribution to medical science.
- Research Josephine Baker: <https://www.womenshistory.org/education-resources/biographies/josephine-baker> and <https://kids.britannica.com/students/article/Josephine-Baker/310039>
- Neither of the articles mention that Josephine was bi – why do you think this might be? Make a poster about Josephine Baker that acknowledges all the parts of her identity, including the fact that she was bi.

Home Learning Pack: LGBT History



- Read Josephine Baker's speech from the March on Washington:
<https://www.blackpast.org/african-american-history/speeches-african-american-history/1963-josephine-baker-speech-march-washington/>. Please be aware there is a racially offensive word in the speech. This was used by Josephine to highlight the discrimination she and many other black people faced – and still face. Reflect on how it feels (or might feel) to be treated differently because of something you can't change about yourself. Make a poster that promotes equality and fairness.
- Listen to some music by Josephine Baker. You'll find a great album here:
<https://open.spotify.com/album/3C1T2HZuuqWX4pOdmdcRJL?nd=1>. Write a review of Josephine's music.
- Watch the video of Josephine Baker dancing:
<https://www.youtube.com/watch?v=H46uf5-Way0>. Can you dance like her?
- Make up a dance to a Josephine Baker song.
- Design a poster that could have been used to advertise a Josephine Baker show. To make it look authentic, you could research 1930s and 1940 fashions and design trends.
- Write a script for a podcast or vlog about LGBT history – choose at least two people to focus on.
- Design a web page about one of the LGBT people from history. You could use the hyperlinks feature in PowerPoint to do this.
- Choose one of the LGBT people from history and write a diary entry as if you were them.
- Choose one of the LGBT people from history and reflect on their contribution to society. How would life be different if they hadn't done what they did? (For example, how would life be different without computers?). Write two or three paragraphs to explain.



Key Stage 4

- Research Bayard Rustin. You might want to start with this piece: <https://kinginstitute.stanford.edu/encyclopedia/rustin-bayard>
- Write a speech about an aspect of equality that you are passionate about.
- Listen to the podcast about Roberta Cowell: <https://www.youtube.com/watch?v=x6z555adbgA>
- Write a blog post about Roberta Cowell.
- Design a car that Roberta Cowell might want to drive today. Use the template or draw the car from scratch. You could create a model car based on your design.
- Design a plane that Roberta Cowell might want to pilot today. Use the template or draw the plane from scratch. You could create a model plane based on your design.
- Research Alan Turing. You might want to start with this piece: <https://www.britannica.com/biography/Alan-Turing>
- Write a piece to explain how being gay impacted Alan's life experiences. You might wish to reflect on how his life would have been different if he had been born in the 1990s.
- Design a code language – see if a family member, carer or friend can crack the code.
- Watch *The Imitation Game* and then design a poster for the film.
- Research Alan L Hart. You could start with: <https://www.encyclopedia.com/social-sciences/encyclopedias-almanacs-transcripts-and-maps/hart-alan-l> or <https://legacyprojectchicago.org/person/dr-alan-l-hart>
- Reflect on Alan L Hart's life. How did being trans impact his life? Summarise your thoughts in 240 characters.
- Find out about tuberculosis (TB) <https://www.blf.org.uk/support-for-you/tuberculosis/what-is-it>
- Research x-rays online and find out how they're used to diagnose tuberculosis.
- Write the script for a podcast or vlog about Alan L Hart and his contribution to medical science.
- Listen to this podcast about Josephine Baker: <https://www.bbc.co.uk/sounds/play/p086dx47>
- Research Josephine Baker: <https://www.womenshistory.org/education-resources/biographies/josephine-baker> and <https://kids.britannica.com/students/article/Josephine-Baker/310039>

Home Learning Pack: LGBT History

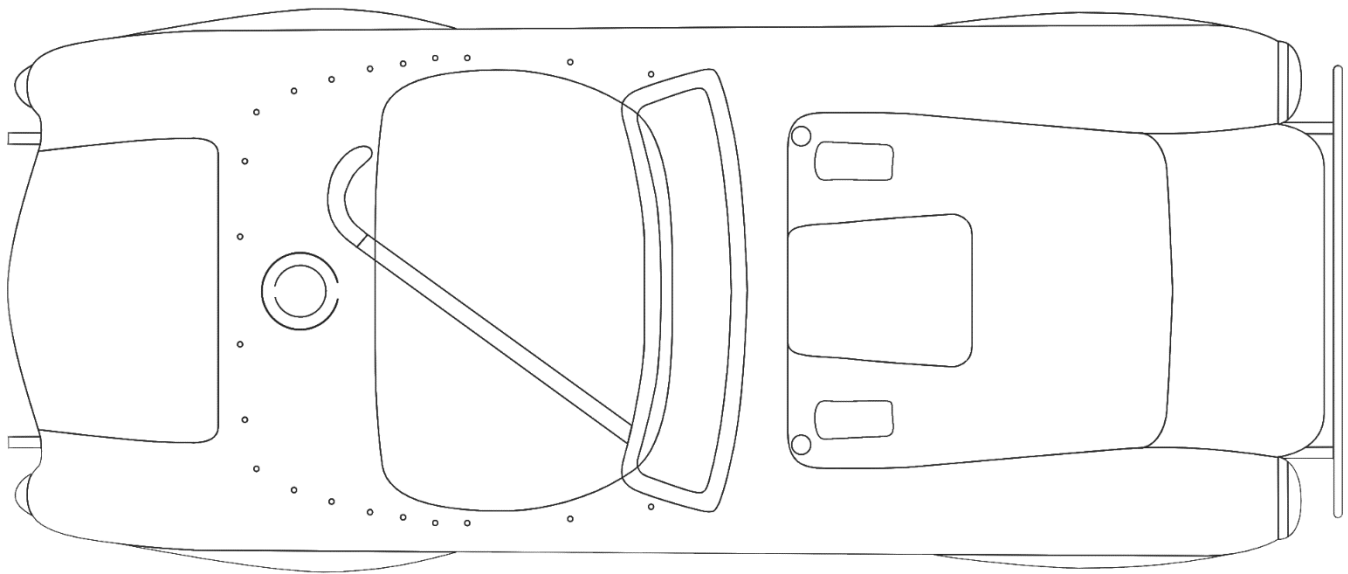
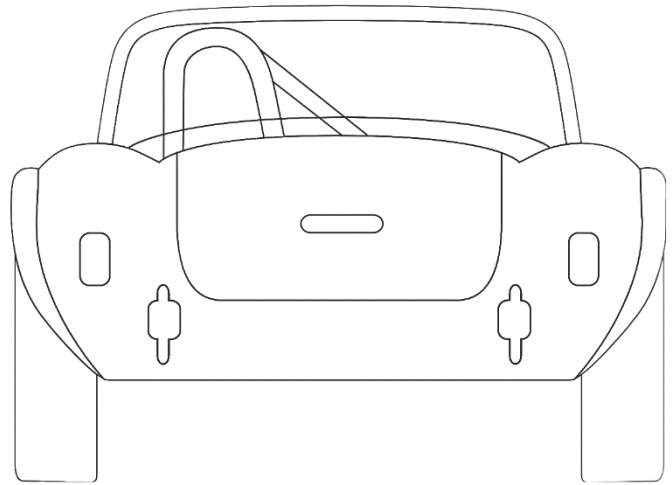
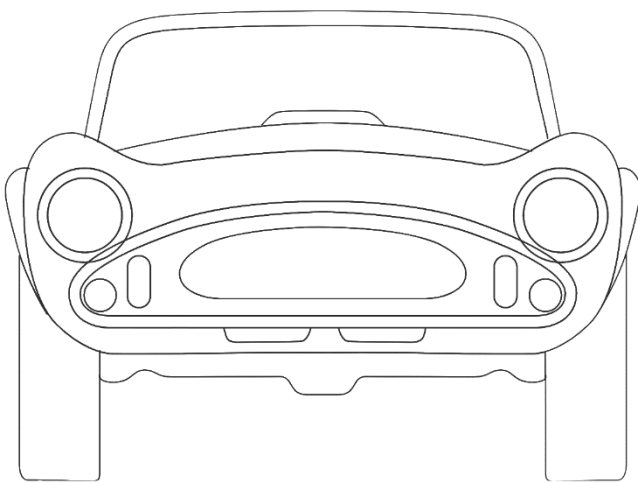


- Lots of articles don't mention that Josephine was bi – why do you think this might be? Write a blog post about Josephine Baker that acknowledges all of the parts of her identity, including the fact that she was bi. The post should reflect on how the different parts of her identity combined impacted on her life experiences.
- Read Josephine Baker's speech from the March on Washington:
<https://www.blackpast.org/african-american-history/speeches-african-american-history/1963-josephine-baker-speech-march-washington/>. Please be aware there is a racially offensive word in the speech. This was used by Josephine to highlight the discrimination she and many other black people faced – and still face. Reflect on how it feels (or might feel) to be treated differently because of something you can't change about yourself. Design an advertising campaign that encourages people to treat others fairly.
- Listen to some music by Josephine Baker. You'll find a great album here:
<https://open.spotify.com/album/3C1T2HZuugWX4pOdmdcRJL?nd=1>. Write a review of Josephine's music.
- Watch the video of Josephine Baker dancing:
<https://www.youtube.com/watch?v=H46uf5-Way0>. Can you replicate her dance moves?
- Make up a dance to a Josephine Baker song.
- Design a poster that could have been used to advertise a Josephine Baker show. It needs to look authentic, so you should research 1930s and 1940 fashions and design trends.
- Write a script for a podcast or vlog about LGBT history – choose at least three people to focus on.
- Design a web page about at least 3 of the LGBT people from history. You could use the hyperlinks feature in PowerPoint to do this.
- Choose one of the LGBT people from history and write a diary entry as if you were them.
- Choose one of the LGBT people from history and reflect on their contribution to society. How would life be different if they hadn't done what they did? (For example, how would life be different without computers?). Write an essay to explain.



Resources

Car design template



Plane design template

